


Product Features

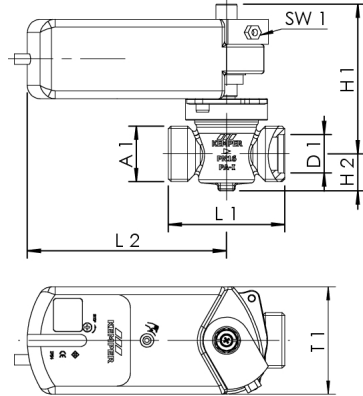
- electrical shut-off device, can be combined with flushing system
- low pressure loss
- wetted metal parts made of stainless steel and gunmetal
- spring return actuator with electroless reset for controls with switched output
- 90° rotatable
- water hammer free operation
- easy maintenance while installed
- maintenance free gear
- for integration in existing KHS mini control system
- self-centering shaft adapter with flange for assembly on the valve
- male union thread
- removable inner top part TOP-ENTRY, with EPDM gasket body and stainless steel ball
- free from dead spots

Standards and Approvals

- DVGW approval
- according to DVGW worksheet W 570
- according to accepted materials list from German environmental agency
- soundproofing certification according to DIN EN ISO 3822 Class 1
- DIN EN 13828
- ÜA-Reg.-Nr. R-15.2.3-21-17048, WIEN-ZERT

Technical Data

- pressure rating PN 16
- max. operating temperature 75 °C
- max. ambient temperature 55 °C
- protection class IP54
- power supply 230 V AC
- elapsed time for actuated changeover 90 s
- elapsed time for spring driven changeover 15 s
- length of connection cable 1.2 m
- wire cross section 2 x 0.75 mm²
- power input during actuation 4,5 W / 7 VA
- power input during standstill 3,5 W



part no.	DN	A1	D1 (mm)	H1 (mm)	H2 (mm)	L1 (mm)	L2 (mm)	SW1 (mm)	T1 (mm)	kg
6860501500	15	G 3/4	18	110	25	73	150,3	10	81	2,175
6860502000	20	G 1	22,5	110	25	73	150,3	10	81	1,575
6860502500	25	G 1 1/4	29	112,5	28	88	150,3	10	81	2,434
6860503200	32	G 1 1/2	35	115,5	31	93	150,3	10	81	2,35

accessory

- flow limiter, figure 697
- KHS free drain with overflow sensor, figure 688 00
- insulation shell for quarter turn stop valves and CONTROL-PLUS sensors, figure 471 19
- gunmetal solder union connector, figure 476 04
- gunmetal union connector, union nut, FPT, figure 476 06
- gunmetal union connector, union nut, FPT, with drain valve, figure 476 07
- gunmetal union connector, union nut, MPT, figure 476 08
- solder / pressfit union connector, figure 476 14
- pressfit union connector, MAPRESS stainless steel and copper, figure 476 22
- pressfit union connector, SANPRESS and PROFIPRESS, figure 476 30
- pressfit union connector, SANHA and NiroSan, figure 476 35
- pressfit union connector, MEPLA, figure 476 40
- pressfit union connector for Viega RAXOFIX, figure 476 32