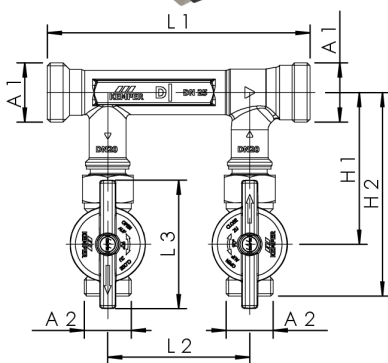

Product Features

- prevents stagnation in ring pipe installations through forced flow during downstream withdrawals, can be used in cold drinking water (PWC) and hot drinking water (PWH)
- KHS Flow-Splitter - dynamic, according to the Venturi principle, including dynamic cartridge, flow and return branch for connection of outlets / plumbing units
- wetted metal parts made from dezincification-free and corrosion-resistant gunmetal, resistant against aggressive water
- KHS Flow-Splitter pass with union thread
- plumbing unit feed pipe with union nut
- plumbing unit return pipe with union nut
- maintenance free
- free from dead spots
- including KHS stop valves, union thread, figure 386 0G
- maintenance-free EPDM spindle seal
- removable inner top part TOP-ENTRY, with EPDM gasket body and gunmetal ball
- incl. insulation shell
- swiss version (Figure 650 07) acc. SVGW requirements available on request


Standards and Approvals

- valve(s) with DVGW approval
- WRAS approval
- according to DVGW worksheet W 570
- according to accepted materials list from German environmental agency
- up to DN 32 soundproofing certification according to DIN EN ISO 3822 Class 1
- insulation shell building material class B1 according to DIN 4102
- DIN EN 13828
- ÜA-Reg.-Nr. R-15.2.3-21-17048, WIEN-ZERT

Technical Data

- pressure rating PN 16
- max. operating temperature 90 °C

part no.	passage DN	Outlets DN	VAV DN	A1	A2	H1 (mm)	H2 (mm)	L1 (mm)	L2 (mm)	L3 (mm)	kg
6500201500	15	15	15	G 3/4	G 3/4	84,5	118,5	185	100	90	1,631
6500202000	20	20	20	G 1	G 1	97	133,5	185	100	90	1,921
6500202500	25	20	20	G 1 1/4	G 1	107	143,5	185	100	90	0,333
6500203200	32	20	20	G 1 1/2	G 1	112	148,5	195	100	90	2,336
650020400	40	25	25	G 1 3/4	G 1 1/4	124,5	168,5	206	100	90	3,455
650020500	50	25	25	G 2 3/8	G 1 1/4	134,5	178,5	219	100	90	4,061

accessory

- gunmetal solder union connector, figure 476 04
- gunmetal union connector, union nut, FPT, figure 476 06
- gunmetal union connector, union nut, FPT, with drain valve, figure 476 07
- gunmetal union connector, union nut, MPT, figure 476 08
- solder / pressfit union connector, figure 476 14
- pressfit union connector, MAPRESS stainless steel and copper, figure 476 22
- pressfit union connector, SANPRESS and PROFIPRESS, figure 476 30
- pressfit union connector, SANHA and NiroSan, figure 476 35
- pressfit union connector, MEPLA, figure 476 40
- pressfit union connector, MAPRESS stainless steel, figure 476 20
- pressfit union connector, SANPRESS INOX, figure 476 70