

Y-strainer, figure 602 00

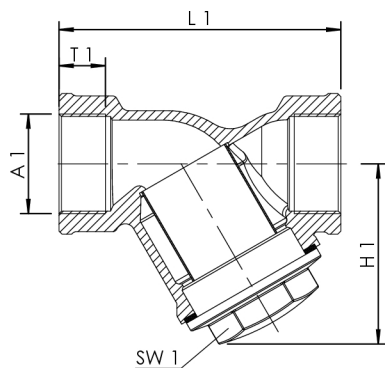


Product Features

- wetted metal parts made from dezincification-free and corrosion-resistant gunmetal, resistant against aggressive water
- easily replaceable double mesh made of stainless steel
- female pipe thread
- for any installation position

Technical Data

- pressure rating PN 16
- max. operating temperature 200 °C
- mesh width outer supporting sieve 0.6 mm
- mesh width inner screen 0.3 mm



part no.	DN	A1	H1 (mm)	L1 (mm)	SW1 (mm)	T1 (mm)	Zeta	cv (m ³ /h)	kg
6020002000	20	Rp 3/4	50	75	24	14	4,5	7,5	0,397
6020002500	25	Rp 1	55	90	32	15	4,8	11,3	0,545
6020003200	32	Rp 1 1/4	70	112	36	17	3,5	21,7	0,892
6020005000	50	Rp 2	95	150	55	20	4,4	47,1	1,8
6020004000	40	Rp 1 1/2	80	120	46	17	5	28,4	1,25
6020001500	15	Rp 1/2	40	65	22	12	3,8	4,6	0,228