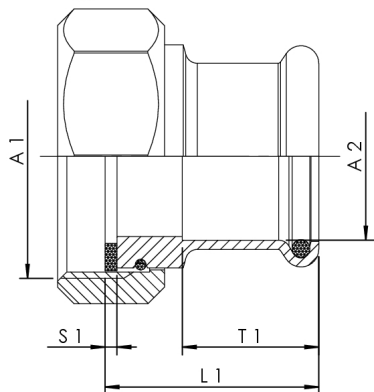


pressfit union connector, MAPRESS stainless steel and copper, figure 476 22



Product Features

- wetted metal parts made from dezincification-free and corrosion-resistant gunmetal, resistant against aggressive water
- with coupling nut for flat sealing connection thread including EPDM gasket
- press connection for Geberit MAPRESS pipe
- according to accepted materials list from German environmental agency
- DIN EN 1213
- ÜA-Reg.-Nr. R-15.2.3-21-17048, WIEN-ZERT



part no.	DN	A1	A2 (mm)	L1 (mm)	S1 (mm)	T1 (mm)	kg
4762201500	15	G 3/4	15	31	2	20	0,082
4762201800	15	G 3/4	18	31	2	20	0,083
4762202000	20	G 1	22	32	2	21	0,112
4762202500	25	G 1 1/4	28	36	2	23	0,178
4762203200	32	G 1 1/2	35	39	2	26	0,215
4762204000	40	G 1 3/4	42	43	2	30	0,264
4762205000	50	G 2 3/8	54	50	3	35	0,469