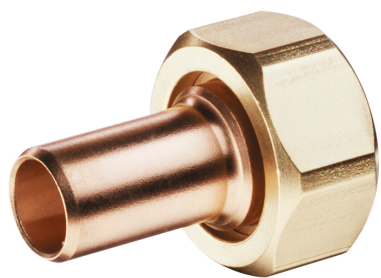
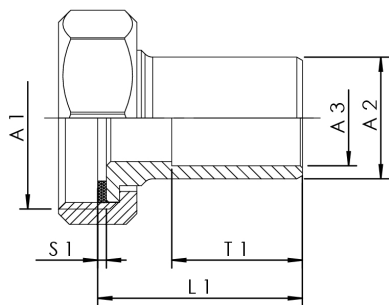


# solder / pressfit union connector, figure 476 14



## Product Features

- wetted metal parts made from dezincification-free and corrosion-resistant gunmetal, resistant against aggressive water
- with coupling nut for flat sealing connection thread including EPDM gasket
- for solder and press connection
- according to accepted materials list from German environmental agency
- DIN EN 1213
- ÜA-Reg.-Nr. R-15.2.3-21-17048, WIEN-ZERT



part no.	DN	A1	A2 (mm)	A3 (mm)	D1 (mm)	L1 (mm)	S1 (mm)	T1 (mm)	kg
4761401500	15	G 3/4	15	12	15	39	2	22	0,070
4761401800	15	G 3/4	18	15	18	37	2	22	0,068
4761402000	20	G 1	22	18	22	42	2	30	0,104
4761402500	25	G 1 1/4	28	22	28	47	2	30	0,206
4761403200	32	G 1 1/2	35	28	35	50	2	38	0,266
4761404000	40	G 1 3/4	42	37	42	59	2	45	0,300
4761405000	50	G 2 3/8	54	48,5	54	63	3	47	0,498