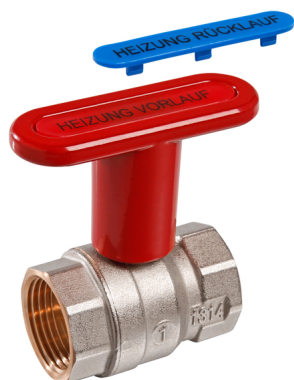


full bore ball valve, figure 351 00

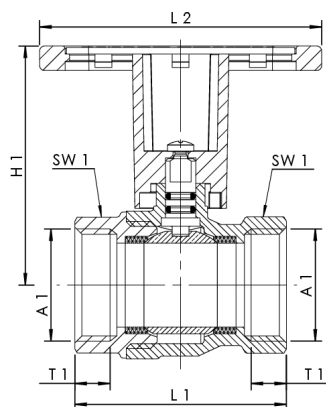


Product Features

- made of brass, nickel-plated
- for water, compressed air and oil (not suitable for aggressive medium, e.g. steam)
- including two identification plates (red "heating flow" and blue "heating return")
- hard chrome-plated brass ball with PTFE gasket
- full bore
- female pipe thread
- blow-out proof spindle
- DN 15 - DN 40 with T-handle, DN 50 with lever grip
- for any installation position and flow direction

Technical Data

- pressure rating PN 25
- max. operating temperature 100 °C



| part no. | DN | A1 | H1 (mm) | L1 (mm) | L2 (mm) | SW1 (mm) | T1 (mm) | kg |
|------------|----|----------|------------|------------|------------|-------------|------------|-------|
| 3510001500 | 15 | Rp 1/2 | 66,5 | 46 | 84 | 25 | 10,4 | 0,204 |
| 3510002000 | 20 | Rp 3/4 | 68 | 54 | 84 | 31 | 11 | 0,291 |
| 3510002500 | 25 | Rp 1 | 71 | 63 | 84 | 38 | 12,5 | 0,41 |
| 3510003200 | 32 | Rp 1 1/4 | 86 | 78 | 87 | 47 | 14,8 | 0,646 |
| 3510004000 | 40 | Rp 1 1/2 | 91 | 88 | 87 | 53 | 15,8 | 0,924 |
| 3510005000 | 50 | Rp 2 | 83 | 105 | 151 | 66 | 18 | 1,601 |

accessory

insulation shell for ball valve, figure 471 24