

WESER stop valve, with plugged drain port, union thread, figure 173 2G



Product Features

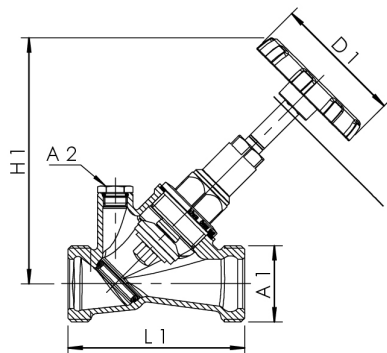
- wetted metal parts made from dezincification-free and corrosion-resistant gunmetal, resistant against aggressive water
- 10 year warranty
- maintenance-free spindle sealing with self-lubricating and under pressure replaceable EPDM-lip gasket
- EPDM-seat gasket
- cone rotatable, protected against water hammer
- male union thread
- with plugged drain port
- Pt1000 temperature sensor or thermometer can be added using immersion sleeve
- spindle thread not in contact with medium
- wear-resistant valve seat made of stainless steel up to DN 50
- with a black handwheel
- free from dead spots
- Open position indicator

Standards and Approvals

- DVGW approval
- ÖVGW approval
- SVGW approval
- WRAS approval
- KIWA approval
- VA approval
- plastic parts with KTW and W 270 approval
- according to accepted materials list from German environmental agency
- up to DN 32 soundproofing certification according to DIN EN ISO 3822 Class 1
- DIN EN 1213
- ÜA-Reg.-Nr. R-15.2.3-21-17048, WIEN-ZERT

Technical Data

- pressure rating PN 16
- max. operating temperature 110 °C



part no.	DN	A1	A2	D1 (mm)	H1 (mm)	L1 (mm)	Zeta	cv (m ³ /h)	kg
1732G01500	15	G 3/4	G 1/4	60	100	70	2,3	5,9	0,398
1732G02000	20	G 1	G 1/4	60	105	78,5	1,6	12,5	0,508
1732G02500	25	G 1 1/4	G 1/4	70	132	97	1,4	21,3	0,81
1732G03200	32	G 1 1/2	G 1/4	70	154	110	1,1	38,7	1,144
1732G04000	40	G 1 3/4	G 1/4	70	161	130	1,8	47,2	1,475
1732G05000	50	G 2 3/8	G 1/4	90	192	145	1,4	84,8	2,305
1732G06500	65	G 3	G 3/8	90	255	190	2,9	98	4,006
1732G08000	80	G 3 1/2	G 3/8	90	268	215	3,7	132	5,284

accessory

gunmetal sampling valve, figure 187 00
insulation shell for inclined stop valves, figure 471 10
drain valve made of gunmetal/plastic, figure J7109 173 00
extension element for drain valve DN 8, figure J6109 473 00
axial drain valve and immersion sleeve, figure J7109 150 00
Pt 1000 temperature sensor, figure T5100 140 00
dial thermometer, figure T5100 150 00
gunmetal solder union connector, figure 476 04
gunmetal union connector, union nut, FPT, figure 476 06
gunmetal union connector, union nut, FPT, with drain valve, figure 476 07
gunmetal union connector, union nut, MPT, figure 476 08
solder / pressfit union connector, figure 476 14
pressfit union connector, MAPRESS stainless steel and copper, figure 476 22
pressfit union connector, SANPRESS and PROFIPRESS, figure 476 30
pressfit union connector, SANHA and NiroSan, figure 476 35
pressfit union connector, MEPLA, figure 476 40
pressfit union connector, MAPRESS stainless steel, figure 476 20
pressfit union connector, SANPRESS INOX, figure 476 70
pressfit union connector for Viega RAXOFIX, figure 476 32