

MULTI-FIX-PLUS static balancing valve, union thread, figure 150 6G



Product Features

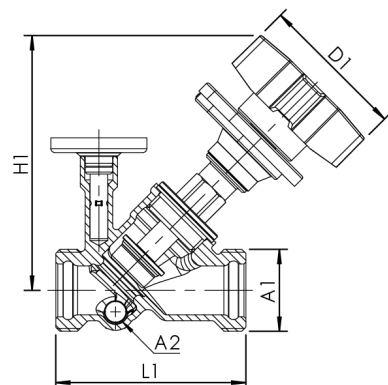
- for hydraulic balancing of hot water return systems (PWH-C)
- wetted metal parts made from dezincification-free and corrosion-resistant gunmetal, resistant against aggressive water
- PTFE seat gasket
- maintenance-free spindle gasket with self-lubricating EPDM lip gasket
- male union thread
- with plugged drain port
- incl. thermometer
- with pocket for temperature sensor Pt1000
- free from dead spots
- keeps throttle pre-setting when valve is closed and opened
- with indicator for pre-setting

Standards and Approvals

- DVGW approval
- ÖVGW approval
- SVGW approval
- WRAS approval
- KIWA approval
- plastic parts with KTW and W 270 approval
- for systems according to DVGW worksheet W 551 / W 553 / DIN 1988-300
- according to accepted materials list from German environmental agency
- DIN EN 1213
- ÜA-Reg.-Nr. R-15.2.3-21-17048, WIEN-ZERT

Technical Data

- pressure rating PN 16
- max. operating temperature 100 °C



part no.	DN	A1	A2	D1 (mm)	H1 (mm)	L1 (mm)	cv (m ³ /h)	kg
1506G02500	25	G 1 1/4	G 1/4	75,5	130	97	10,81	1,022
1506G04000	40	G 1 3/4	G 1/4	75,5	138	130	19,19	1,8
1506G05000	50	G 2 3/8	G 1/4	75,5	150	145	20,72	2,64
1506G01500	15	G 3/4	G 1/4	75,5	116	70	4,48	0,57
1506G02000	20	G 1	G 1/4	75,5	123	78,5	6,28	0,759
1506G03200	32	G 1 1/2	G 1/4	75,5	131	110	15,56	1,385

accessory

- gunmetal sampling valve, figure 187 00
- insulation shell for MULTI-FIX-PLUS static balancing valve, as of 01/2017, figure 471 26
- drain valve made of gunmetal/plastic, figure J7109 173 00
- Pt 1000 temperature sensor, figure T5100 140 00
- gunmetal solder union connector, figure 476 04
- gunmetal union connector, union nut, FPT, figure 476 06
- gunmetal union connector, union nut, FPT, with drain valve, figure 476 07
- gunmetal union connector, union nut, MPT, figure 476 08
- solder / pressfit union connector, figure 476 14
- pressfit union connector, MAPRESS stainless steel and copper, figure 476 22
- pressfit union connector, SANPRESS and PROFIPRESS, figure 476 30
- pressfit union connector, SANHA and NiroSan, figure 476 35
- pressfit union connector, MEPLA, figure 476 40
- pressfit union connector, MAPRESS stainless steel, figure 476 20
- pressfit union connector, SANPRESS INOX, figure 476 70
- pressfit union connector for Viega RAXOFIX, figure 476 32