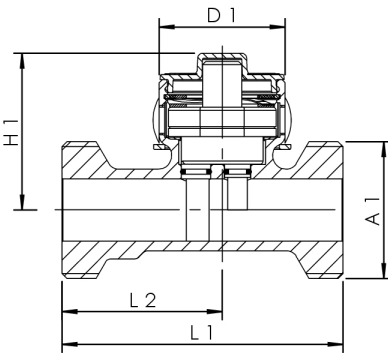




**Product Features**

- frequency output signal
- for the accurate measurement of flow rates and temperatures in drinking water systems
- wetted metal parts made from dezincification-free and corrosion-resistant gunmetal, resistant against aggressive water
- sensor housing for low pressure loss
- up to 50% of measuring range: divergence max. 1% of full-scale reading
- from 50% of measuring range: deviation max. 2% of measured value
- for connection to the KHS control systems
- male union thread
- free from dead spots
- with vortex flow sensor that includes a 2-wire Pt1000
- 5-pin M12x1 interface
- readout and display of values via additional available KHS potable measuring instrument
- optional cable M12x1 required for connection to KHS control systems
- DN 10 is recommended for use with flow limiter 2 l/min



**Standards and Approvals**

- WRAS approval
- plastic parts with KTW and W 270 approval
- according to accepted materials list from German environmental agency
- ÜA-Reg.-Nr. R-15.2.3-21-17048, WIEN-ZERT

**Technical Data**

- pressure rating PN 10
- min. flow velocity 0.2 m/s
- max. flow velocity 2.5 m/s
- min. operating temperature 0 °C
- max. operating temperature 100 °C
- protection class IP65
- power supply 5 V DC

part no.	DN	A1	D1 (mm)	H1 (mm)	L1 (mm)	L2 (mm)	pressure loss at 1 m/s (hPa)	pressure loss at 2 m/s (hPa)	flow metering range (l/min)	cv (m³/h)	kg
1384G01000	10	G 3/4	38,5	46	65	35	114	460	0,9 - 15	1,9	0,306
1384G01500	15	G 3/4	38,5	44	65	32	36	142	1,8 - 32	3,3	0,294
1384G02000	20	G 1	38,5	46	75	40	28	109	3,5 - 50	6,8	0,38
1384G02500	25	G 1 1/4	38,5	48	86	49	25	100	5 - 85	11,2	0,521
1384G03200	32	G 1 1/2	38,5	50,5	109	70	32	124	9 - 150	16,3	0,695
1384G04000	40	G 1 3/4	38,5	57,5	109	66,5	30	121	11 - 188	26	0,892
1384G05000	50	G 2 3/8	38,5	64,5	113	70	31	123	18 - 316	40,3	1,326

**accessory**

- CONTROL-PLUS hand-held measuring device for sensors, figure 138 00 002
- M12x1 cable with loose litz wires, figure 138 00 012
- sensor measuring module, figure 138 00 011
- insulation shell for quarter turn stop valves and CONTROL-PLUS sensors, figure 471 19
- gunmetal solder union connector, figure 476 04
- gunmetal union connector, union nut, FPT, figure 476 06
- gunmetal union connector, union nut, FPT, with drain valve, figure 476 07
- gunmetal union connector, union nut, MPT, figure 476 08
- solder / pressfit union connector, figure 476 14
- pressfit union connector, MAPRESS stainless steel and copper, figure 476 22
- pressfit union connector, SANPRESS and PROFIPRESS, figure 476 30
- pressfit union connector, SANHA and NiroSan, figure 476 35
- pressfit union connector, MEPLA, figure 476 40
- pressfit union connector, MAPRESS stainless steel, figure 476 20
- pressfit union connector, SANPRESS INOX, figure 476 70
- pressfit union connector for Viega RAXOFIX, figure 476 32