

Product Features

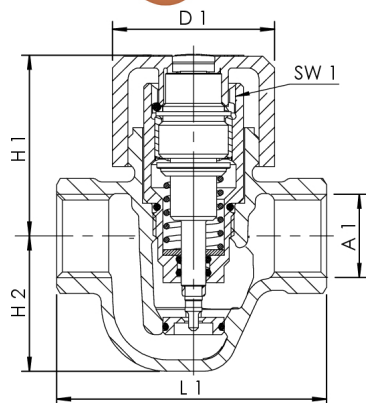
- for hydraulic balancing of hot water return branches with $k_v\text{-min} \geq 0.05$
- for hydraulic balancing of hot water return systems (PWH-C), supports thermal disinfection
- wetted metal parts made from dezincification-free and corrosion-resistant gunmetal, resistant against aggressive water
- PTFE seat gasket
- maintenance-free EPDM spindle seal
- thermostatic balancing unit
- female pipe thread
- handle grip with purple identification plate
- free from dead spots
- with isolating, balancing and pre-setting function

Standards and Approvals

- DVGW approval
- ÖVGW approval
- SVGW approval
- WRAS approval
- plastic parts with KTW and W 270 approval
- for systems according to DVGW worksheet W 551 / W 553 / DIN 1988-300
- according to accepted materials list from German environmental agency
- ÜA-Reg.-Nr. R-15.2.3-21-17048, WIEN-ZERT

Technical Data

- control range 56 °C - 58 °C
- pressure rating PN 16
- max. operating temperature 90 °C



part no.	DN	A1	D1 (mm)	H1 (mm)	H2 (mm)	L1 (mm)	SW1 (mm)	cv (m ³ /h)	kg
1310001500	15	Rp 1/2	42	47	35	70	19	0,4	0,465

accessory

insulation shell for UP-PLUS and ETA-THERM valves, figure 471 14